



**NFC3800**

**25.0 Amp DC Intelligent Battery Charger**

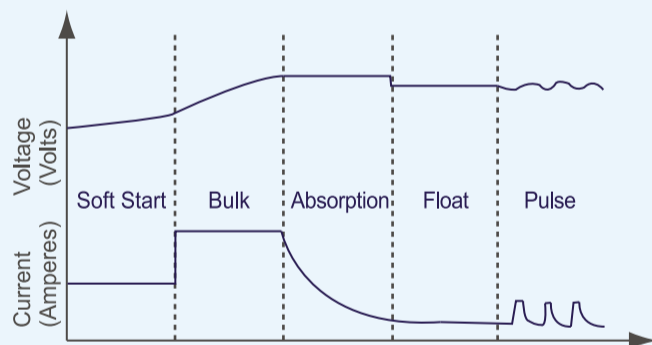
**Product Highlights**

- 12 Volt, 25.0Amp DC (22.0Amp RMS) high rate charging
- 12 Volt, 10.0Amp DC (15.0Amp RMS) normal rate charging
- 2 Volt, 2.0Amp DC (3.0Amp RMS) Low rate charging
- Automatically Diagnose, recovers, charges and maintains battery
- Charges WET/Flooded, GEL, AGM, MF, VRLA, Calcium type Lead Acid Rechargeable Batteries

**FEATURES**

**Standard Features :**

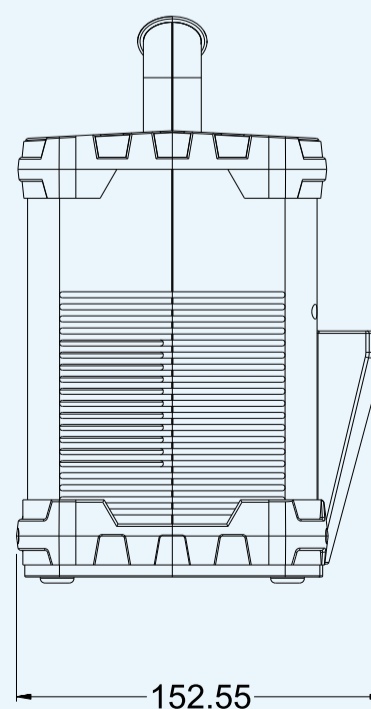
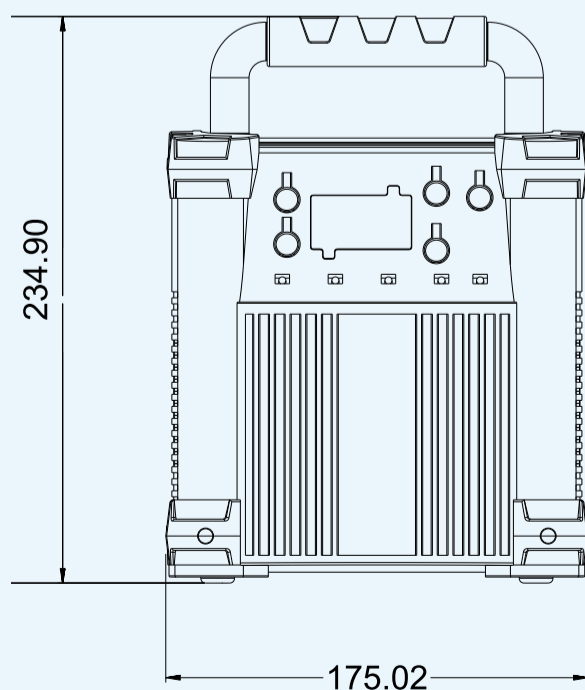
- Spark Proof
- Short Circuit Protection
- Voltage Compensation
- Overheat Protection
- 5 Stages (Soft Start, Bulk, Absorption, Float, Pulse) Charging Characteristics



Packaging information			
Gift Box Size:	198x178x250mm		
Outer Carton:	614x371x270mm		
QTN/CTN:	6PCS		
N.W.:	9.1kgs	G.W.:	11.9kgs
20" Container	2910pcs		
40" Container	5904pcs		



**DIMENSIONS**



SPECIFICATIONS ARE SUBJECT TO CHANGE WITHOUT PRIOR NOTICE