



## DFC900

### 6.0 Amp Intelligent Battery Charger

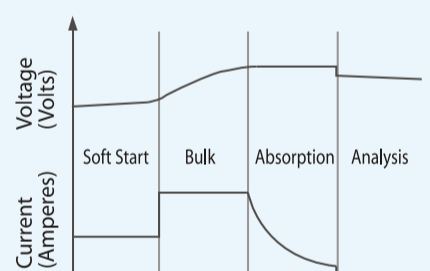
#### Product Highlights

- . 12 Volt, 2.0Amp DC slow rate charging
- . 12 Volt, 6.0Amp DC fast rate charging
- . MCU controlled interactive
- . Automatically Diagnose, recovers, charges and maintains battery
- . Charges WET/Flooded, GEL, AGM, MF, VRLA, Calcium type Lead Acid Rechargeable Batteries

## FEATURES

### Standard Features :

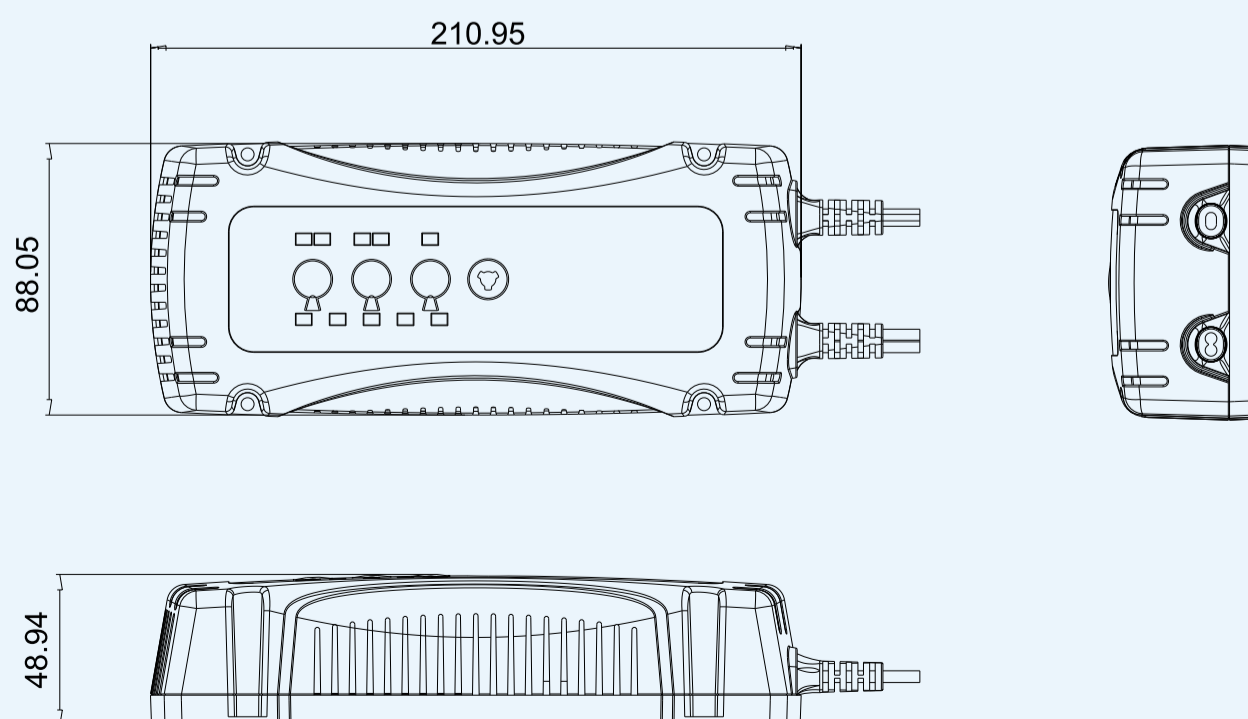
- Spark Proof
- Short Circuit Protection
- Voltage Compensation
- Overheat Protection
- Memory function
- IP Rating: IP20
- 4 Stages (Soft Start, Bulk, Absorption, Analysis/Float) Charging Characteristics



Packaging information			
Gift Box Size:	190x80x270mm		
Outer Carton:	555x445x208mm		
QTN/CTN:	10PCS		
N.W.:	7.5kgs	G.W.:	10.0kgs
20" Container	5730pcs		
40" Container	11480pcs		



## DIMENSIONS



SPECIFICATIONS ARE SUBJECT TO CHANGE WITHOUT PRIOR NOTICE