



## RVC3500

Wireless Backup Camera System with 3.5" TFT LCD Screen



## FEATURES

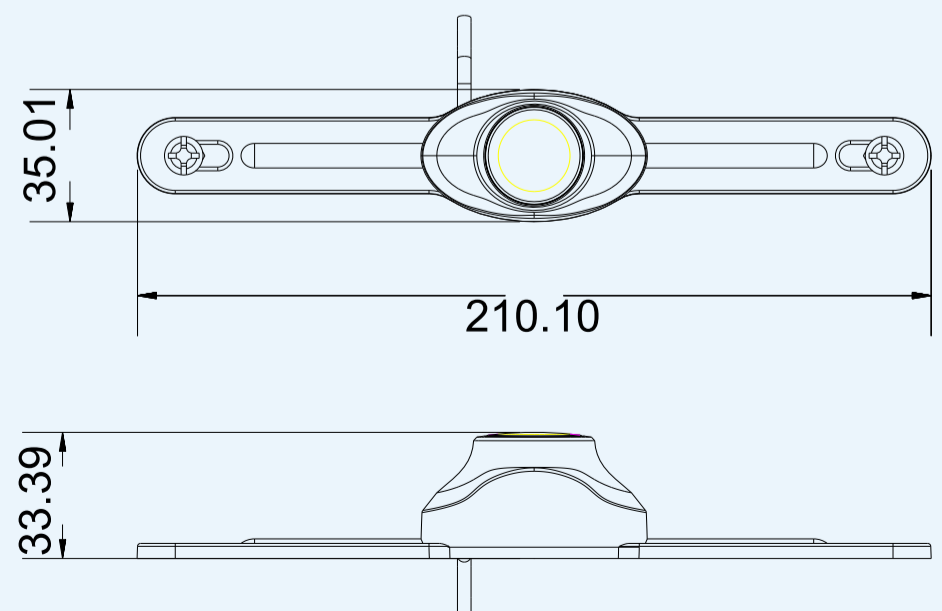
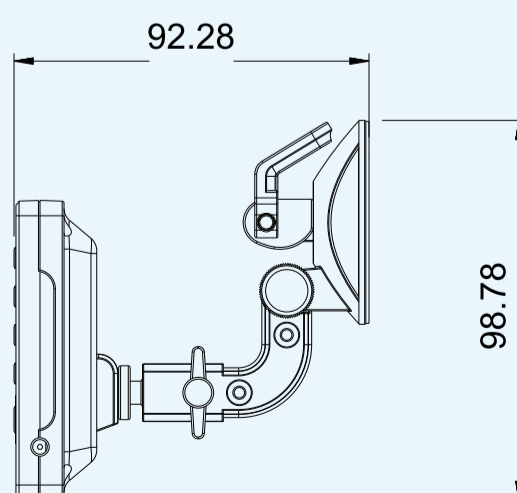
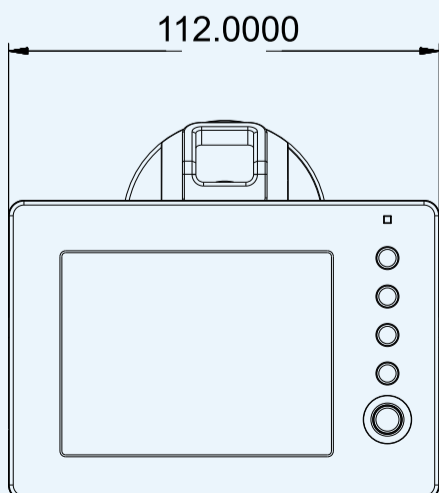
### Standard Features :

- 3.5" colour LCD display
- Resolution of 480 x 240 pixels
- 110° camera viewing angle
- Powered by 12V DC with Cigarette Lighter Plug
- On-screen backup guideline
- Viewing direction adjustment
- Contrast and brightness adjustment

Packaging information			
Gift Box Size:	206x60x260mm		
Outer Carton:	540x345x225mm		
QTN/CTN:	10PCS		
N.W.:	4.9kgs	G.W.:	7.1kgs
20" Container	7130PCS		
40" Container	14840PCS		



## DIMENSIONS



SPECIFICATIONS ARE SUBJECT TO CHANGE WITHOUT PRIOR NOTICE