



RVC3000

Wireless Backup Camera System with 2.4" TFT LCD Screen



FEATURES

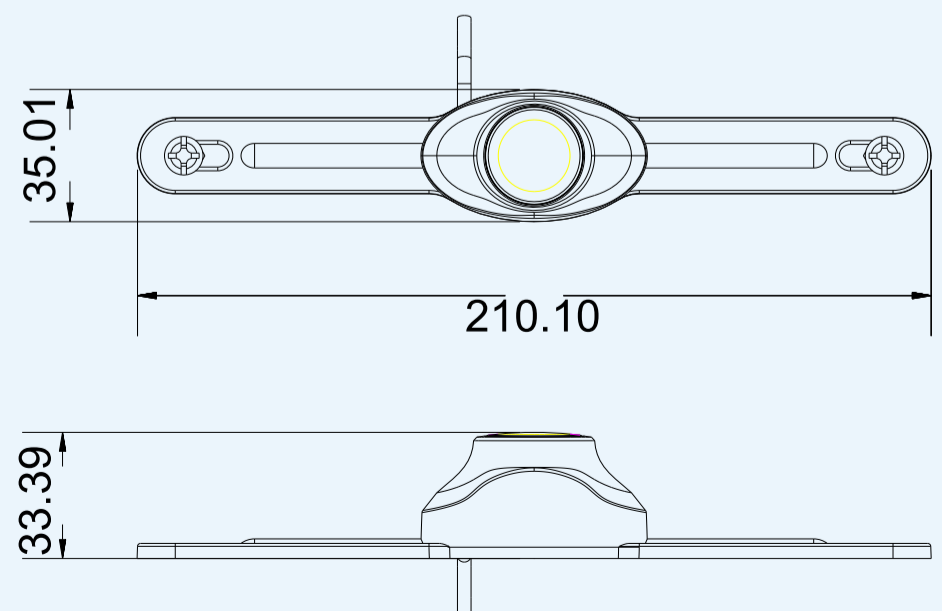
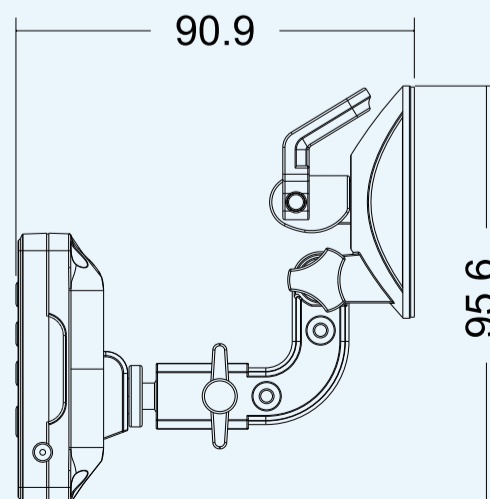
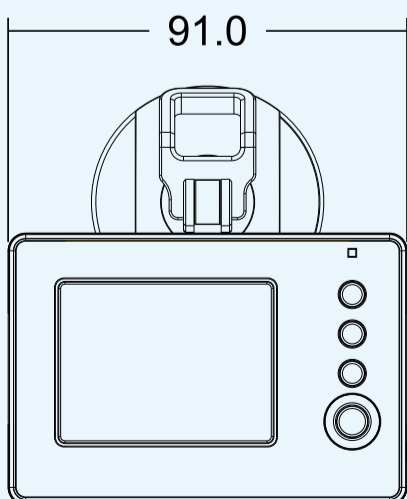
Standard Features :

- 2.4" colour LCD display
- Resolution of 480 x 240 pixels
- 110° camera viewing angle
- Powered by 12V DC with Cigarette Lighter Plug
- Viewing direction adjustment
- Contrast and brightness adjustment

Packaging information			
Gift Box Size:	260x70x260mm		
Outer Carton:	540x245x278mm		
QTN/CTN:	6PCS		
N.W.:	5.6kgs	G.W.:	7.3kgs
20" Container	4932PCS		
40" Container	10032PCS		



DIMENSIONS



SPECIFICATIONS ARE SUBJECT TO CHANGE WITHOUT PRIOR NOTICE