



CH100

2-in 1 Portable Car Heater & Fan

FEATURES

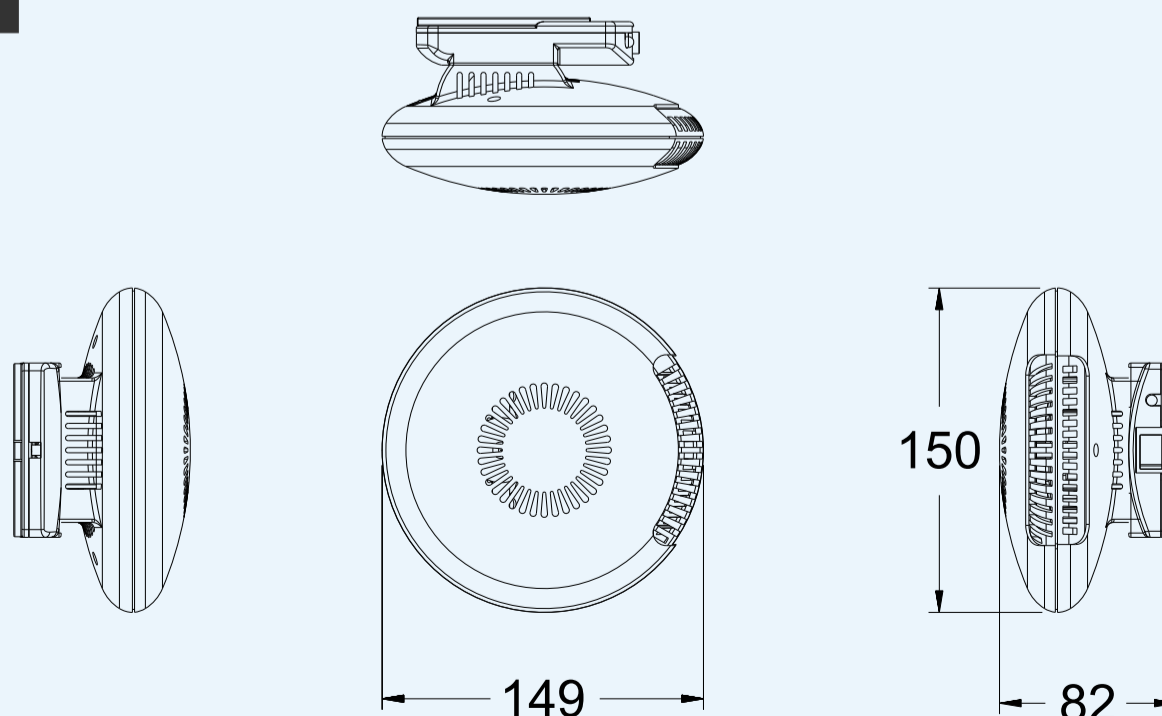
Standard Features :

- 12 Volt cigarette light connection
- Car Fan with heater unit (140 Watt)
- To demist & defrost windscreen in winter
- Cooling air in summer

Packaging information			
Gift Box Size:	230x180x30mm		
Outer Carton:	612x472x195mm		
QTN/CTN:	20PCS		
N.W.:	8.0KGS	G.W.:	9.6KGS
20" Container	10320PCS		
40" Container	20920PCS		



DIMENSIONS



SPECIFICATIONS ARE SUBJECT TO CHANGE WITHOUT PRIOR NOTICE